

Adapter Plate-52/96

At the beginning, vise and the Plate of 96mm system was purchased. If user needs to process small workpieces in the future, it is recommended to use a modular Adapter Plate, which can quickly change the 96 system to 52 system.



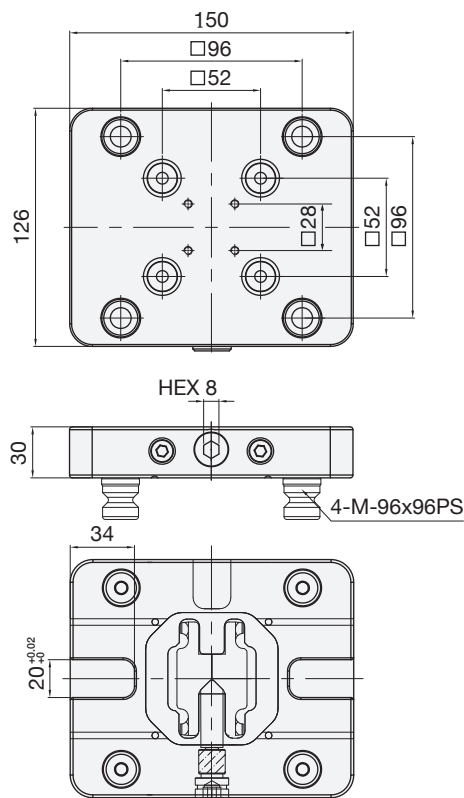
Adapter Plate

Rectangular Adapter Plate



M-52x96 (8003G)

Size	150x126x30 mm
Pull Stud No.	M-52x52PS / M-96x96PS
Mounting Holes	96x96 mm
Weight (kg)	4.9



Round Adapter Plate



M-52x96 (8006G)

Size	$\varnothing 157$ x30 mm
Pull Stud No.	M-52x52PS / M-96x96PS
Mounting Holes	100/ 96x96 mm
Weight (kg)	4.5

